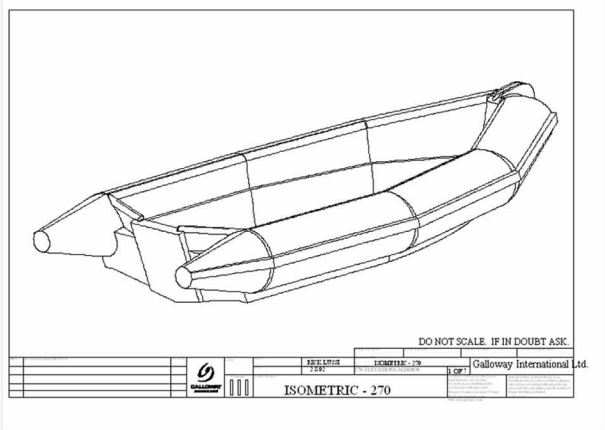




TUFF & SAFE

Marine Revolution **MAC 270**



Specifications

Length 2.7m (8.6ft)
External Beam 1.3m (4.3ft)
Internal Beam 0.8m (2.6ft)
Hull Weight 45kg (99lbs)
Max Horsepower 5Hp
Freeboard 380mm (15")
Deadrise 10deg
Hull Thickness 7mm
Warranty 5 years

Standard

Accessories

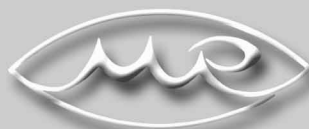
Rubbing Strip
Outboard Bracket
Towing Eye
Grab handles
Seats

CE Details

Design Cat D, Sheltered Water
Max rec. Load 160 Kg
Max # of People 2



Built to MSA (Marine Safety Authority)
and US Coast Guard Standards



**MARINE
REVOLUTION**

Marine Revolution Ltd. Unit 1 Manhattan Works, Dundonald St, Dundee, DD3 7PY, Scotland.
Phone: +44 (0)1382 455 774. Fax: +44 (0)1382 456 946. email: info@marinerevolution.com. Web: www.marinerevolution.com